

Illustration - Type - E

3 601 JF2 000  
 Stand | 15-08  
 Issue | 19-12-12

Fig. /Abb. 1

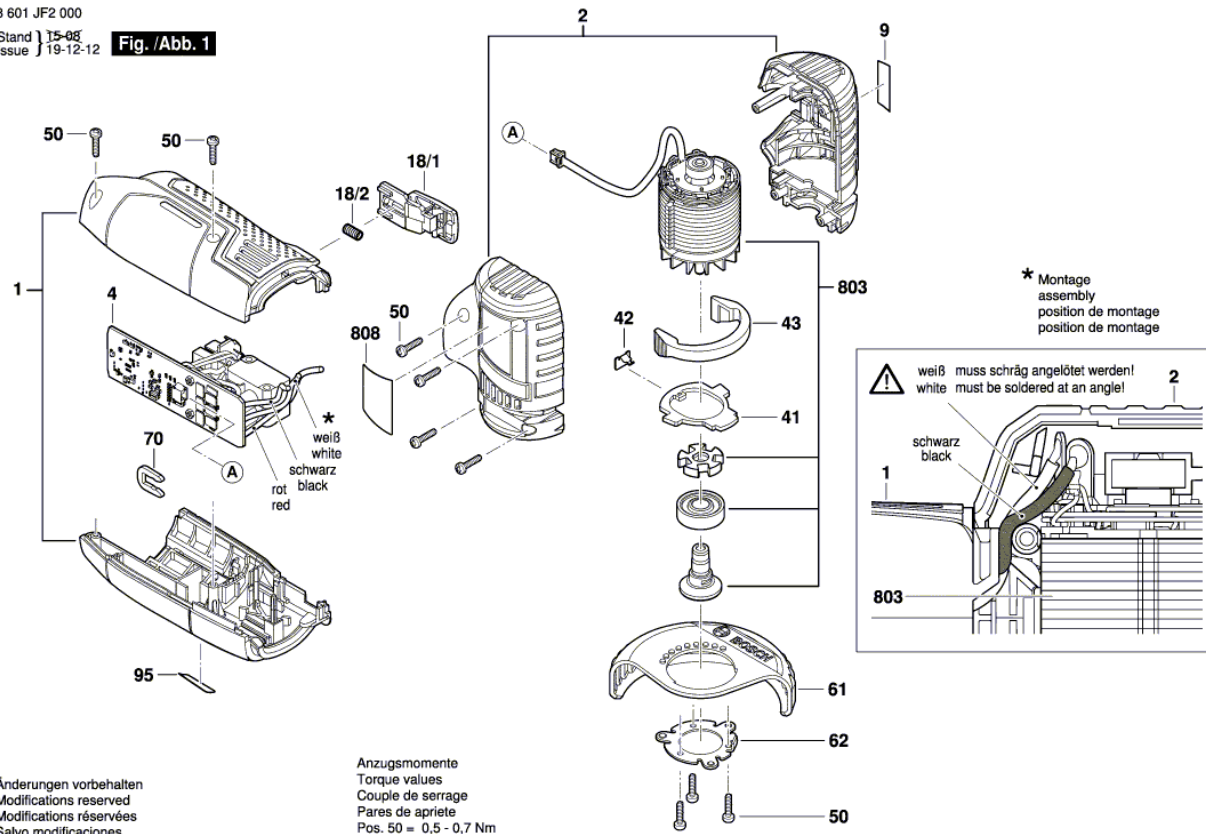
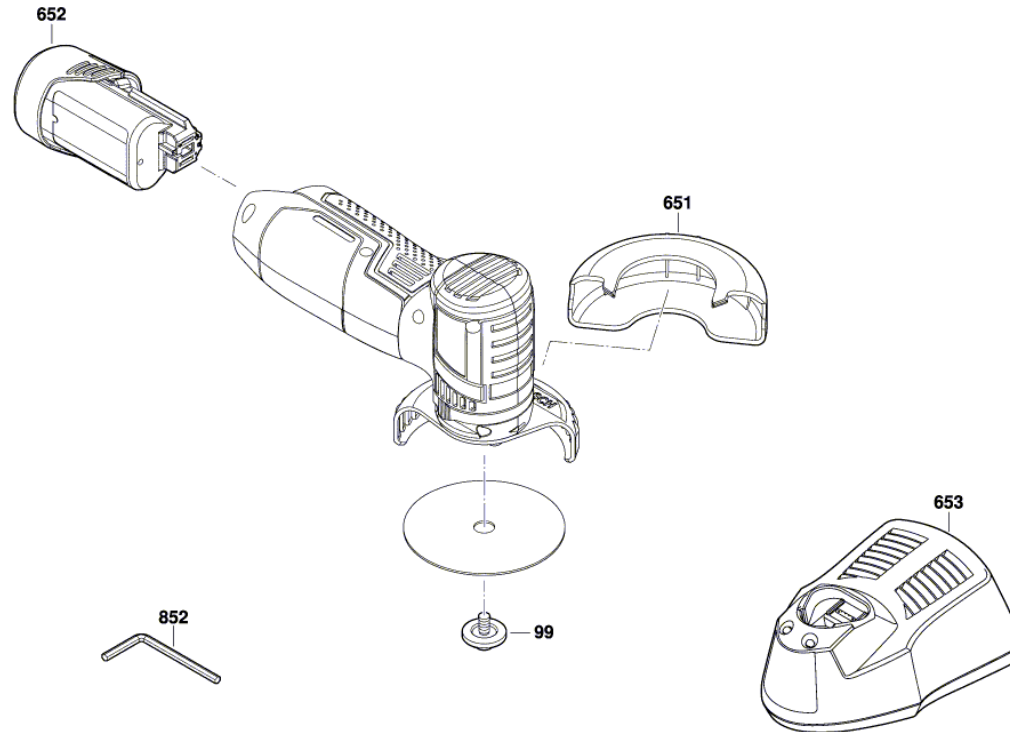


Illustration - Type - E

3 601 JF2 000

Stand | 15-12  
Issue | 16-06-17

Fig. /Abb. 2



Änderungen vorbehalten  
Modifications reserved  
Modifications réservées  
Salvo modificaciones

## Spare parts list

Item	Part Number	Description	Illustration
1	1 605 806 58F	Housing	1
2	1 605 108 2BZ	Motor Housing	1
4	1 607 233 5A2	Electronic Module	1
9	1 601 11C 1KU	Manufacturer's nameplate	1
18/1	1 600 A00 78U	Switch Unit	1
18/2	1 600 A00 4HA	Spring	1
41	1 600 A00 4HJ	Stopping Device	1
42	1 600 A00 4HD	Wave spring	1
43	1 600 A00 4HH	Retaining Stirrup	1
50	2 609 110 361	Screw	1
61	1 600 A00 4HM	Protective Cover	1
62	1 600 A00 4HE	Pressure plate	1
70	2 609 110 537	Clip	1
95	1 601 11C 0WW	Sticker	1
803	1 600 A00 DC1	Motor Spare Parts Set	1
808	1 601 11A 4XG	Nameplate	1
99	1 600 A00 B91	Clamping Nut	2
651	1 600 A00 4LC	Protective Cover	2
652	1 607 A35 049	Battery Pack 12V, 2,5Ah, LI GBA	2
653	2 607 226 101	Fast Charger EU GAL 1230 CV 230/12V	2
653	2 607 226 105	Fast Charger GB GAL 1230 CV 230/12V	2
852	1 619 P11 420	Hexagon Socket Wrench	2